

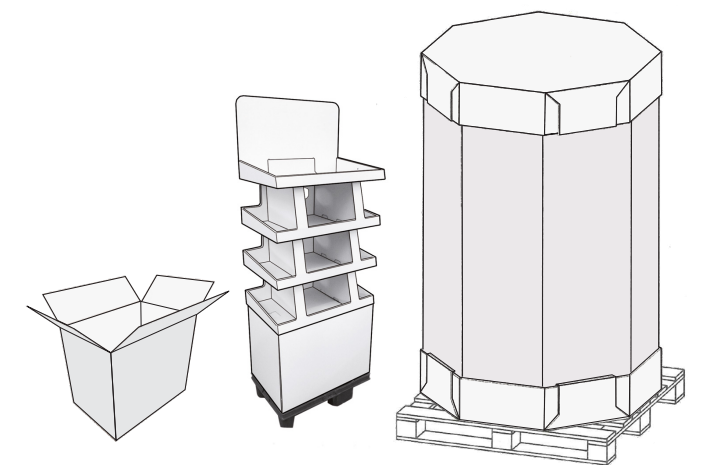
 **Packwell**

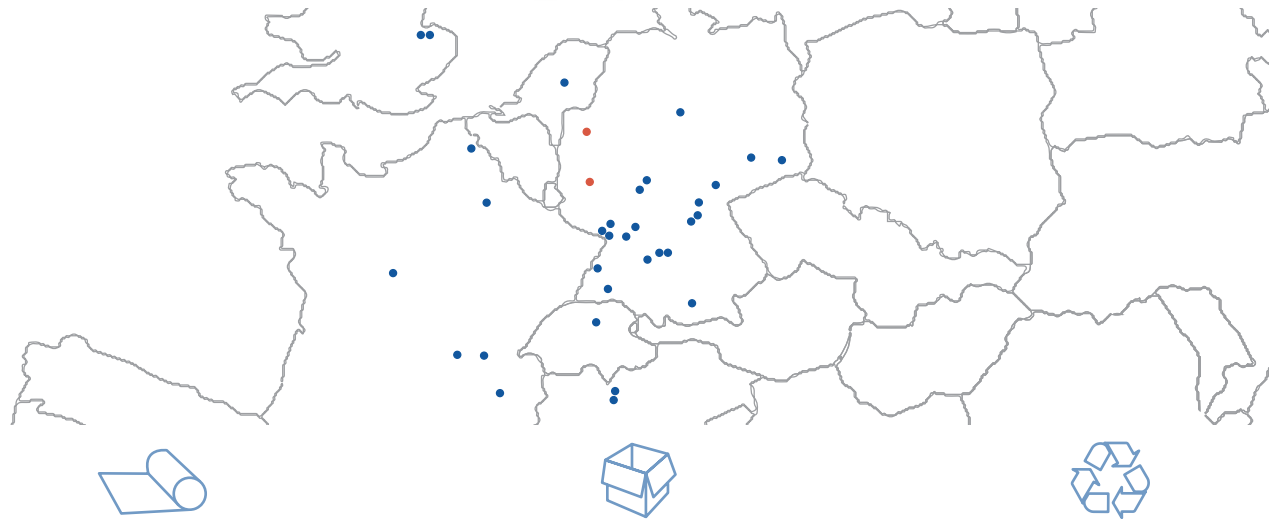
Industriestraße 7
40789 Monheim
Tel.: +49 2173-498-0
www.packwell.de



 **Packwell**

your partner for corrugated board packaging





Palm Paper

- ▶ 5 paper mills
- ▶ 2 additional sales offices

Palm Packaging

- ▶ 28 corrugated board plants

Palm Recycling

- ▶ 2 recycling companies



Both locations of Packwell GmbH have a long history in packaging production and are cooperating under the Palm Packaging Group since 2014.

120

million m² corrugated board

are delivered annually to our customers

12.000

m² production area

with modern machinery and optimised logistics

40

years experience

for innovation and competence in corrugated board

3

logistics centres in GER and NLD

with large storage capacity

1000

customers

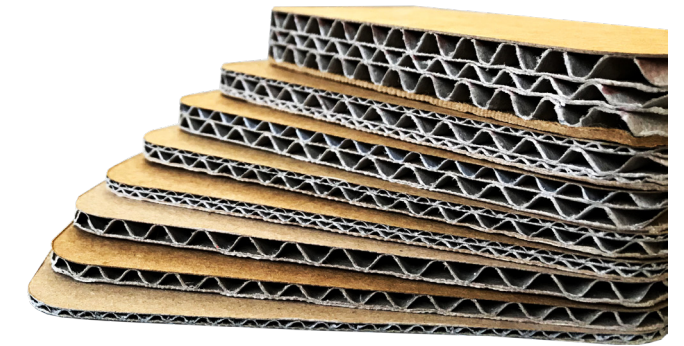
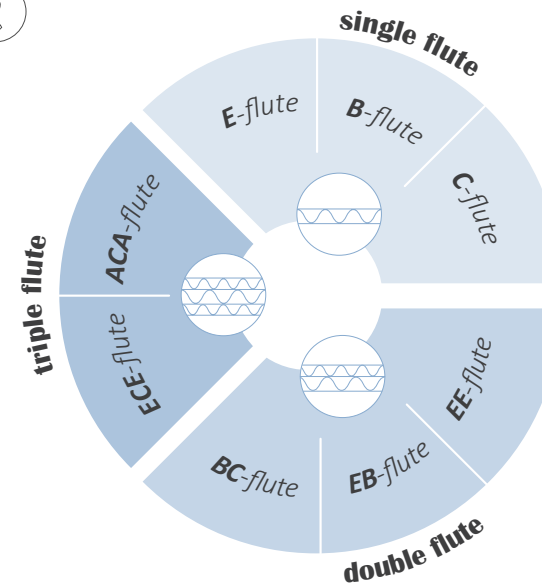
from a wide range of industries

270

employees

qualified and motivated

Corrugated profiles Packwell GmbH Monheim & Andernach



Machinery

Our modern production sites in Monheim and Andernach are equipped with:

- ▶ 2 corrugated-board machines
- ▶ A wide range of inline machines, rotary and flat-bed die-cutters with up to 7 inking units
- ▶ Box folder/gluer machines
- ▶ Packwell service

Product range

▶ Print & Display

- ▶ Optimal and effective product placement
- ▶ High-quality printed packaging
- ▶ Customized and standardized displays

▶ Heavy Duty

- ▶ Strong corrugated board combinations and intelligent designs for the best protection during transport and storage
- ▶ Modular packaging concepts
- ▶ Octabiner and pallet containers

▶ Variety of corrugated cardboard packaging

- ▶ Customized and standardized packaging like:
 - ▶ Shelf-ready-packaging, American Boxes, FEFCO standards, Automated Packaging